

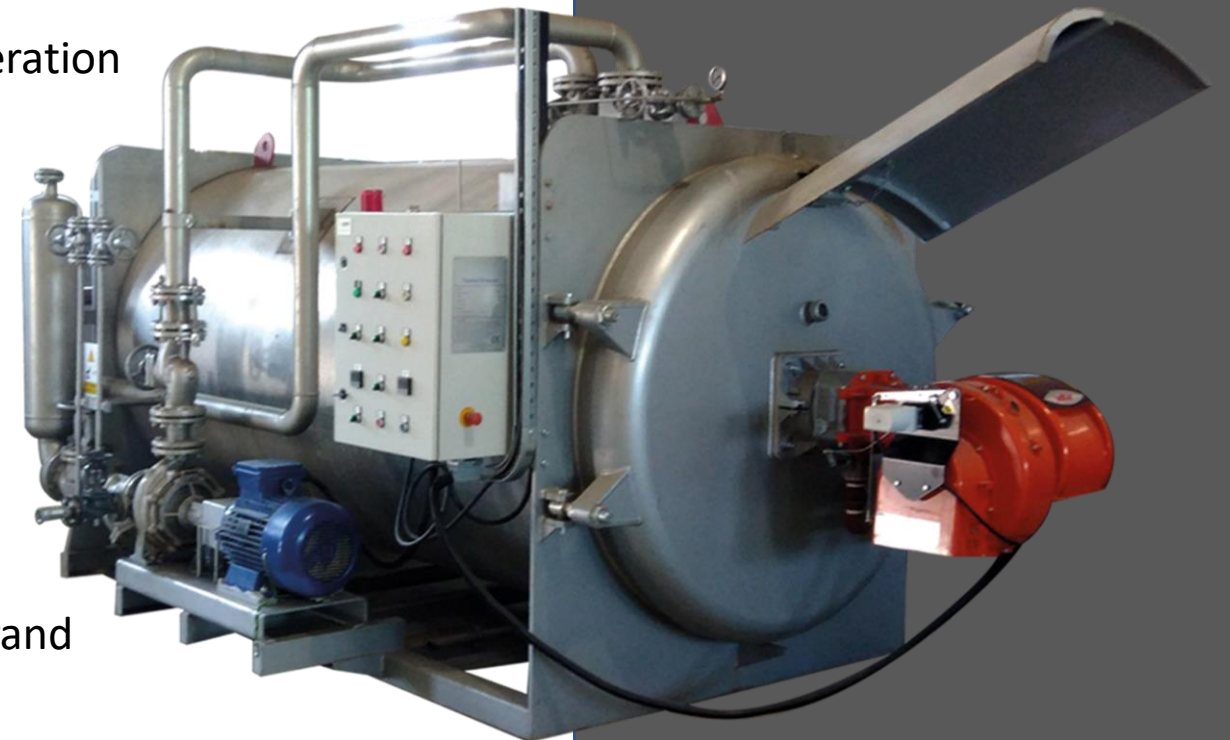
# **THERMAL OIL HEATER**

**Thermal oil heater is an indispensable part of your asphalt plants and bitumen handling systems with its high efficiency, compact design, ease of use and low fuel consumption.**

### **MAIN FEATURES**

---

- ◆ Engineered to work at closed loop thermal oil heating systems under atmospheric pressure where oil heated up to 250°C and circulated with pump.
- ◆ Double helix heating coil design ensures long term operation and quality without any thermal cracking of the oil.
- ◆ Suitable for all types of commercial burners such as diesel, fueloil, natural gas and combi with the large combustion chamber.
- ◆ Burner can be replaced without any need for cable connection, thanks to its plug-in-socket design.
- ◆ Long term operation with high capacity ALLWEILLER brand thermal oil circulation pumps.



**THERMAL OIL HEATER**

**ITAL MACHINERY**

MACCHINA ITALIANA

## MAIN FEATURES

---

- ◆ Safe operations via digital thermostatic controller for controlling oil temperature at oil inlet and outlet.
- ◆ Flow and pressure safety with differential pressurestat at oil inlet and outlet pipes.
- ◆ Compact design ensures easy transportation (can fit into 20' container) and assembly.

## TYPES

---

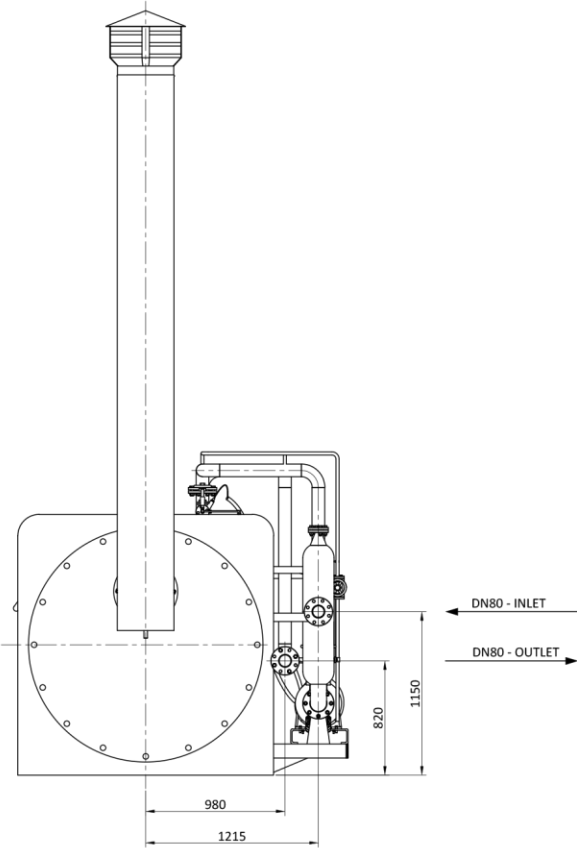
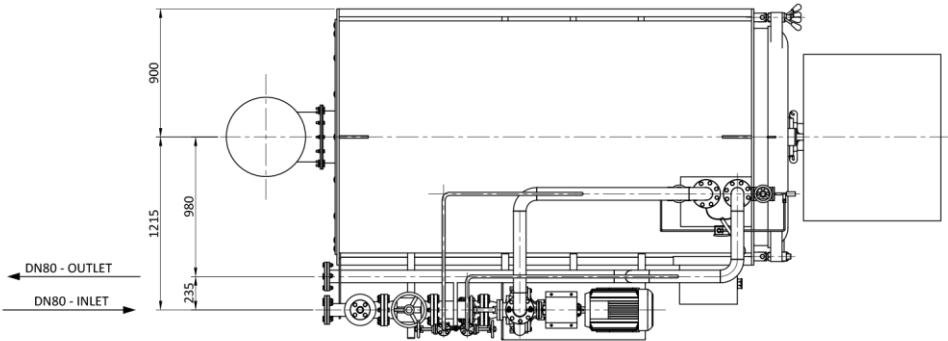
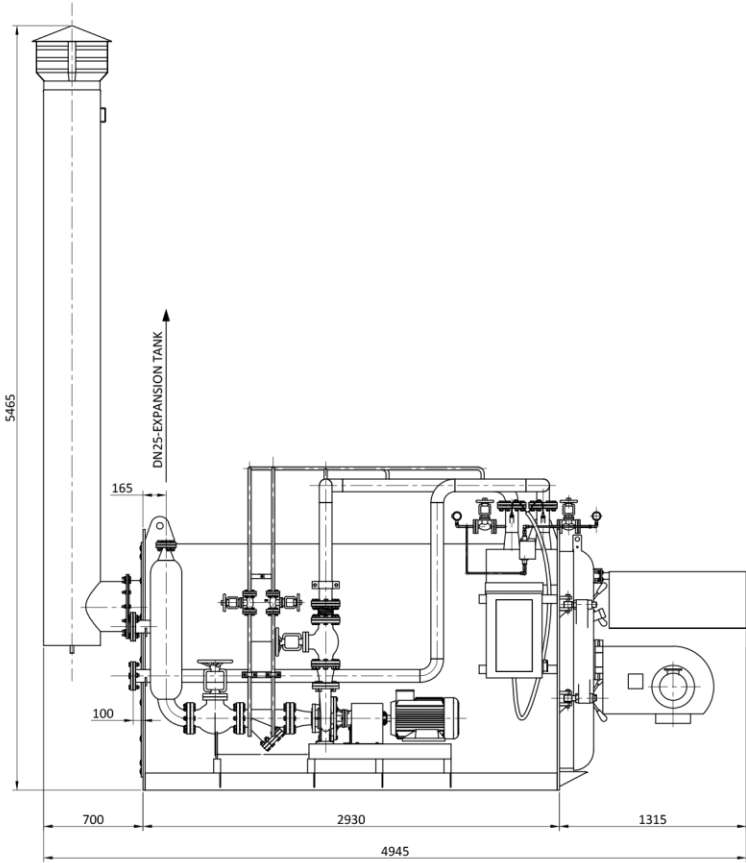
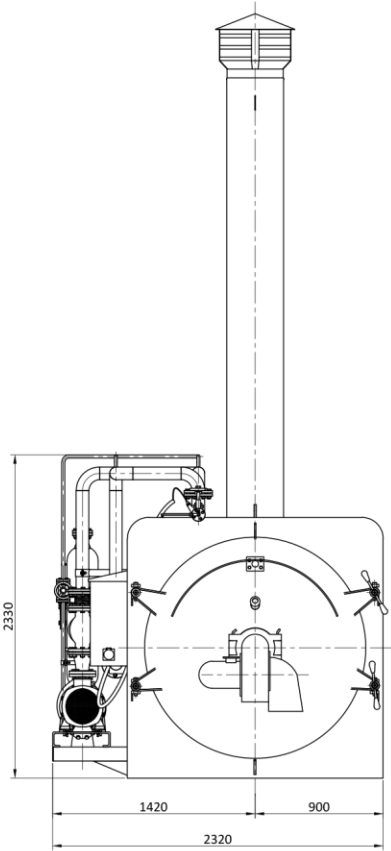
- ◆ 1.000.000kCal/h
- ◆ 800.000kCal/h
- ◆ 500.000kCal/h



THERMAL OIL HEATER

**ITAL MACHINERY**  
MACCHINA ITALIANA

# PRODUCT OVERVIEW - FLOW CHART



## CONTACT US

---



[italmachinery.com.ua](http://italmachinery.com.ua)



[sales@italmachinery.com.ua](mailto:sales@italmachinery.com.ua)



+38 (067) 271 61 61

+38 (067) 371 61 61

+38 (067) 801 77 00

+38 (096) 449 32 08



[facebook.com/italmachinery](https://facebook.com/italmachinery)



[@italmachinery](https://instagram.com/italmachinery)



[Ital Machinery](https://www.youtube.com/italmachinery)

**ITAL MACHINERY**  
MACCHINA ITALIANA

